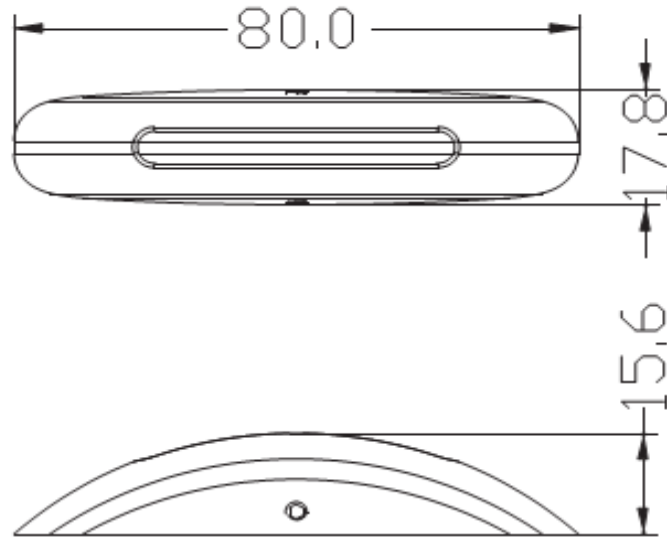
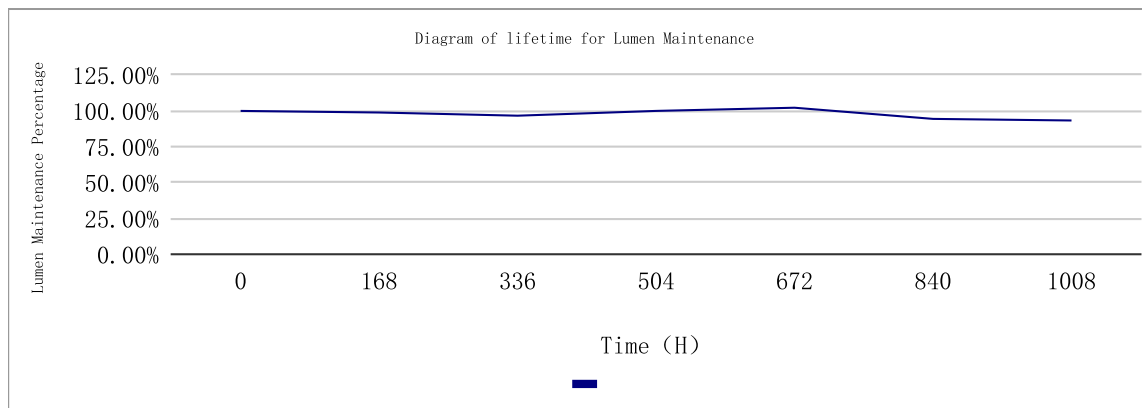


00181-WH/00181-BU	
Material	Housing:Made of zinc alloy
Housing Colour	Chrome plated zinc alloy
LED Colour	<input type="checkbox"/> Daylight White <input checked="" type="checkbox"/> Warm White <input type="checkbox"/> Red <input type="checkbox"/> Yellow <input checked="" type="checkbox"/> Blue <input type="checkbox"/> RGB
LED	5PCS
LED Beam Angle	120°
Colour Temperature	<input checked="" type="checkbox"/> Warm White:2900-3200K <input type="checkbox"/> Daylight White: K
Features	Surface mount
Working Voltage	DC12V
Wattage	1 W
Effective Lumen	WH/WHO: 60Lumen BU/BUO: 10Lumen
water-proofing and dust-proofing	IP: 67
life TEST FOR LED LAMP(1000 hours)	Lumen Maintenance Percentage>92%
Operation Temperature	-20° ~ +45°C
Certificate	<div style="display: flex; justify-content: space-around; align-items: center;"> <div style="border: 1px solid black; padding: 2px;">U L</div> <div style="border: 1px solid black; padding: 2px;">C E</div> <div style="border: 1px solid black; padding: 2px;">RoH S</div> <div style="border: 1px solid black; padding: 2px;">TU V</div> </div> <div style="display: flex; justify-content: center; margin-top: 5px;"> <div style="width: 15px; height: 15px; background-color: blue; margin-right: 5px;"></div> <div style="width: 15px; height: 15px; background-color: black; margin-right: 5px;"></div> <div style="width: 15px; height: 15px; background-color: blue; margin-left: 20px;"></div> </div>

The light is for type "Z" attachments. The external flexible cable or cord of this luminaire cannot be replaced; if the cord is damaged, the luminaire shell be destroyed



LIFETIME FOR LUMEN MAINTENANCE



Testing Module: Lasting 1000 hrs, Temperature Range 36-40°C, Humidity: 60%RH, Input Voltage: DC12V