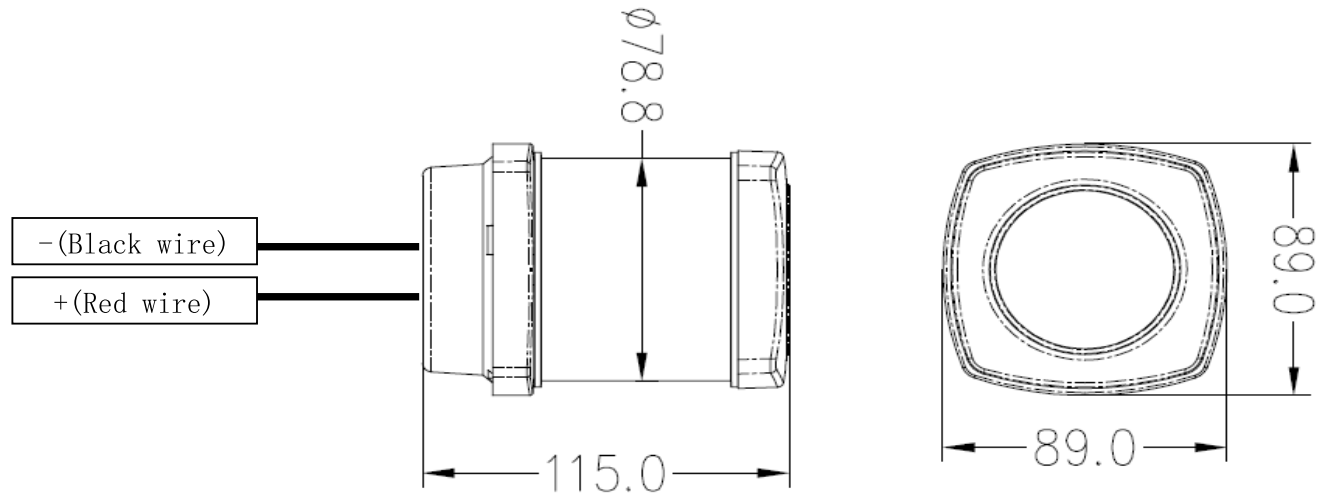
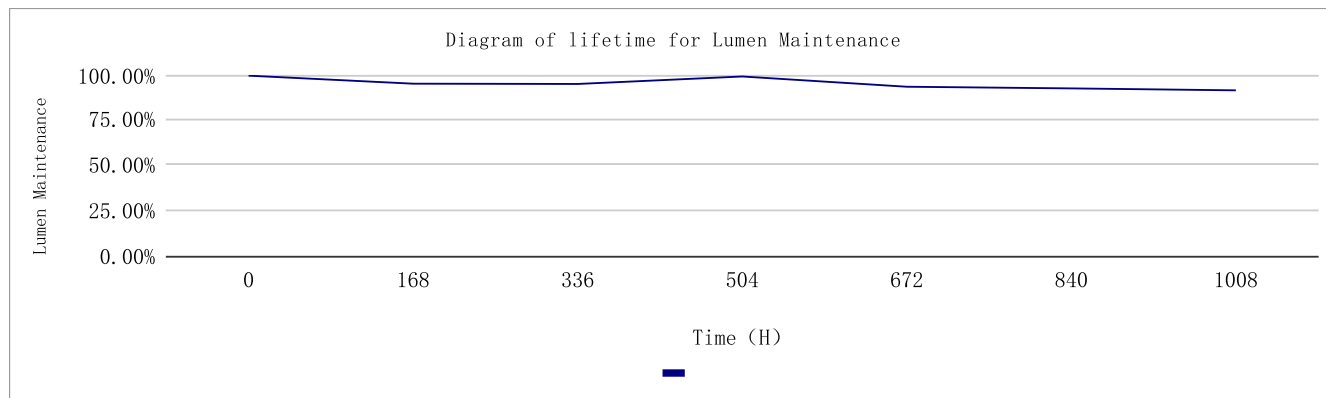


00127-LD	
Material	Housing: Made of PC
Housing Colour	Black
LED Colour	<input checked="" type="checkbox"/> Nature White <input type="checkbox"/> Warm White <input type="checkbox"/> Red
LED	33pcs
Colour Temperature	<input type="checkbox"/> Warm White: K <input checked="" type="checkbox"/> Nature White: 4000-4500 K
Features	Surface mount
Working Voltage	DC10-24V
Wattage	2.5 W
Effective Lumen	140Lumen
water-proofing and dust-proofing	IP: 65
life TEST FOR LED LAMP(1000 hours)	Lumen Maintenance Percentage>90%
Operation Temperature	-20° ~ +45°C
Certificate	<div style="display: flex; justify-content: space-around; align-items: center;"> <div style="border: 1px solid black; padding: 2px; text-align: center;">U L</div> <div style="border: 1px solid black; padding: 2px; text-align: center;">C E</div> <div style="border: 1px solid black; padding: 2px; text-align: center;">RoH S</div> <div style="border: 1px solid black; padding: 2px; text-align: center;">TUV</div> </div> <div style="display: flex; justify-content: center; margin-top: 5px;"> <div style="width: 15px; height: 15px; background-color: blue; margin-right: 5px;"></div> <div style="width: 15px; height: 15px; background-color: black; margin-right: 5px;"></div> <div style="width: 15px; height: 15px; background-color: blue; margin-right: 5px;"></div> </div>
<p>The light is for type "Z" attachments. The external flexible cable or cord of this luminaire cannot be replaced; if the cord is damaged, the luminaire shell be destroyed</p>	



LIFETIME FOR LUMEN MAINTENANCE



Testing Module: Lasting 1000 hrs, Temperature: Range 36-40°C, Humidity: 60%RH, Input Voltage: DC12V