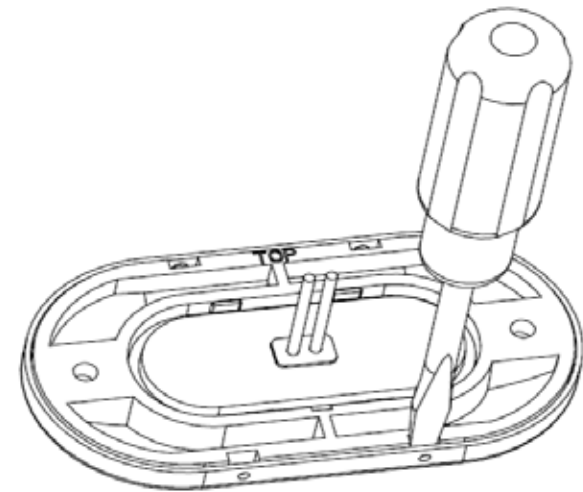
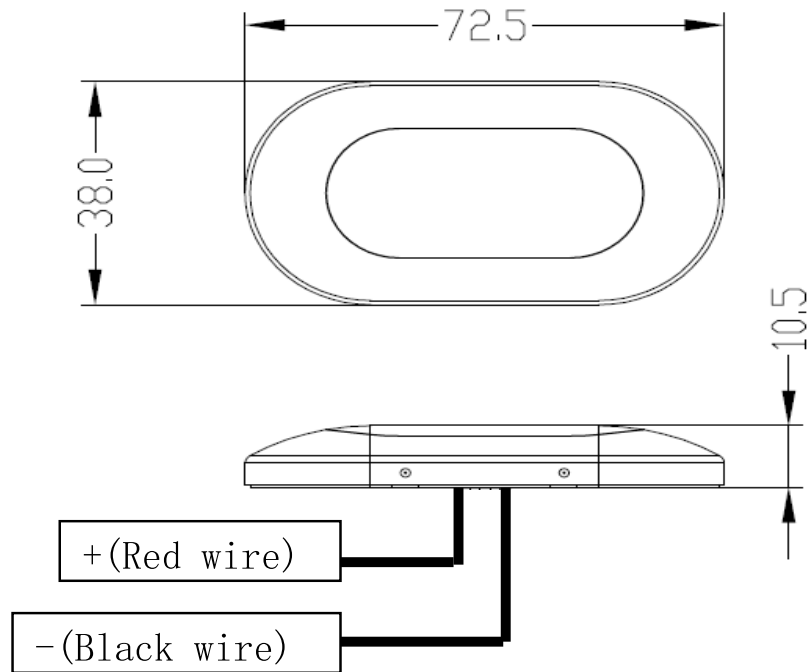
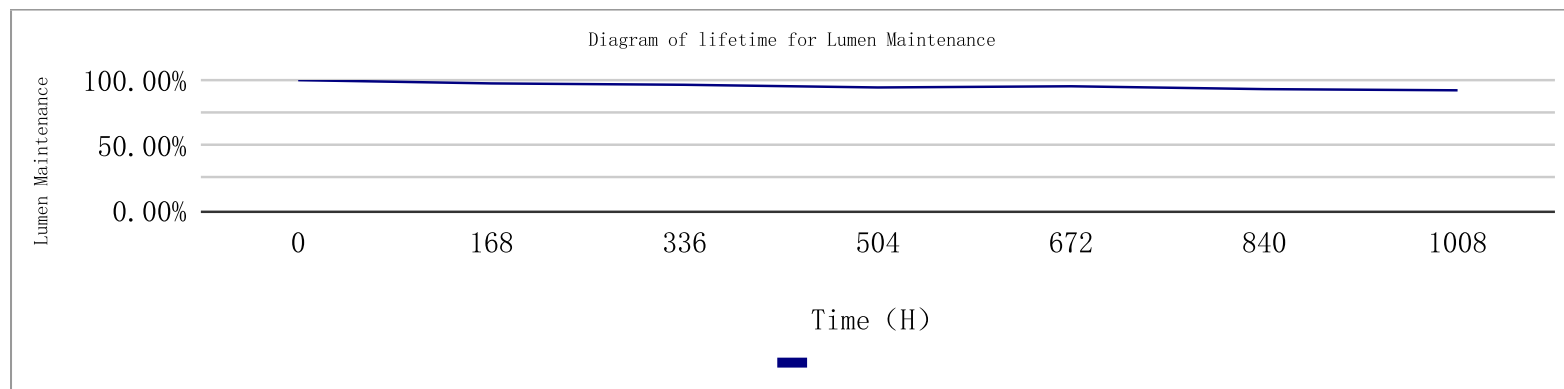


<b>00767-WH &amp; 00767-BU &amp; 00767-WHO &amp; 00767-BUO &amp; 00767-WHOY</b>	
<b>Material</b>	Housing:Made of SUS304
<b>Housing Colour</b>	polished S.S
<b>LED Colour</b>	<input checked="" type="checkbox"/> Daylight White <input type="checkbox"/> Warm White <input type="checkbox"/> Red <input type="checkbox"/> Yellow <input checked="" type="checkbox"/> Blue
<b>LED</b>	6pcs
<b>LED Beam Angle</b>	120°
<b>Colour Temperature</b>	<input type="checkbox"/> Warm White: K <input checked="" type="checkbox"/> Daylight White: 5500-6300 K
<b>Features</b>	Surface mount
<b>Working Voltage</b>	DC12V
<b>Wattage</b>	1.2 W
<b>Effective Lumen</b>	WH:83Lumen BU:22Lumen
<b>water-proofing and dust-proofing</b>	IP: 67
<b>life TEST FOR LED LAMP(1000 hours)</b>	Lumen Maintenance Percentage>90%
<b>Operation Temperature</b>	-20° ~ +45°C
<b>Certificate</b>	<div style="display: flex; justify-content: space-around; align-items: center;"> <div style="border: 1px solid black; padding: 2px;">U L</div> <div style="border: 1px solid black; padding: 2px;">C E</div> <div style="border: 1px solid black; padding: 2px;">RoH S</div> <div style="border: 1px solid black; padding: 2px;">TUV</div> </div> <div style="display: flex; justify-content: center; margin-top: 5px;"> <span style="color: blue; font-size: 2em;">■</span> <span style="color: black; font-size: 2em;">■</span> <span style="color: blue; font-size: 2em;">■</span> </div>
<p>The light is for type"Z" attachments.The external flexible cable or cord of this luminaire cannot be replaced;if the cord is damaged, the luminaire shell be destroyed</p>	



Pry to open the cover from the base using a flat screwdriver

### LIFETIME FOR LUMEN MAINTENANCE



Testing Module: Lasting 1000 hrs, Temperature Range 36-40°C, Humidity: 60%RH, Input Voltage: DC12V