

11" x 7" Battery Tray Holder (Hold-Down Strap)

FO2360

The Five Oceans Hold-Down Strap Battery Tray is specifically designed for use with standard 24 Series batteries. Constructed from high-quality, non-corrosive, heavy-duty black plastic, this battery tray ensures durability and reliable

performance in demanding environments. The robust hold-down strap securely fastens the battery, preventing movement during operation, making it an ideal choice for marine, RV, and automotive applications.

Mounting Instructions for Five Oceans Hold-Down Strap Battery Tray

Install the battery in a well-ventilated area, away from casual contact to prevent gas buildup and acid burns.

●**Choose Location:** Select a well-ventilated spot with enough working space.

●**Mark Holes:** Use the tray as a template to mark four screw hole locations.

●**Drill Pilot Holes:** Drill four pilot holes, ensuring not to pierce through the boat's bottom.

●**Insert Strap:** Place the hold-down strap in the tray's groove.

●**Secure Tray:** Fasten the tray using four #10 stainless steel screws and washers.

●**Place Battery:** Set the 24 Series battery in the tray.

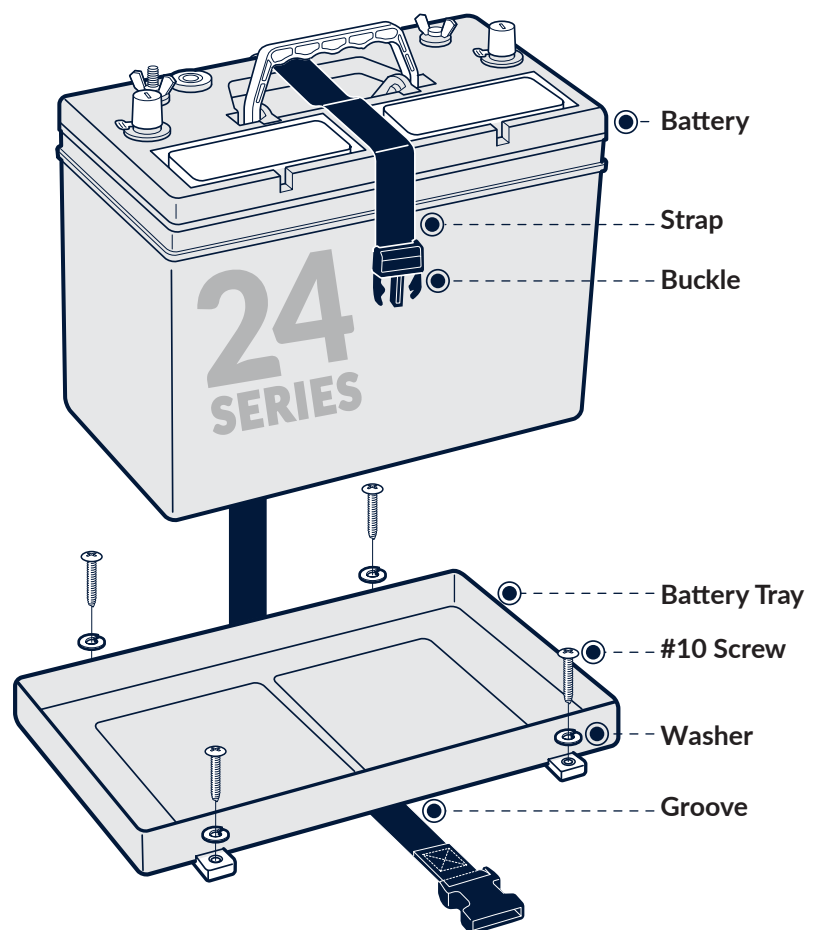
●**Fasten Buckle:** Secure the buckle over the battery.

●**Tighten Strap:** Pull strap ends to firmly secure the battery.

●**Connect Battery:** Make proper connections, insulating the positive terminal to prevent shorting.

NOTE:

Ensure compliance with safety regulations and battery manufacturer guidelines.



Tools and Materials Required for Installation

To ensure a successful installation, gather the following tools and materials before beginning:

- Drill with an appropriately sized drill bit (suitable for the mounting surface)
- Four #10 stainless steel pan-head wood/sheet metal screws

- Four #10 stainless steel flat washers
- Screwdriver (compatible with the screw head type)