

11" x 7" Battery Tray Holder (Hold-Down Clamp)

FO2359

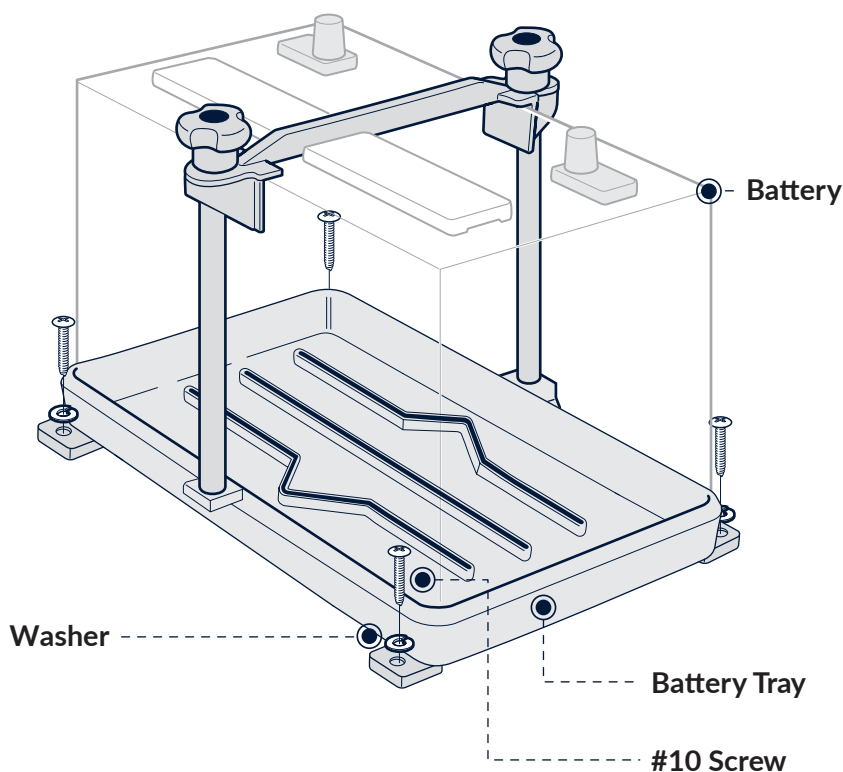
The Five Oceans Hold-Down Clamp Battery Tray is specifically designed for use with standard 24 Series batteries. Constructed from high-quality, non-corrosive, heavy-duty black plastic, this battery tray ensures durability and reliable

performance in demanding environments. The robust hold-down Clamp securely fastens the battery, preventing movement during operation, making it an ideal choice for marine, RV, and automotive applications.

Mounting Instructions for Five Oceans Hold-Down Clamp Battery Tray

Install the battery in a well-ventilated area, away from casual contact to prevent gas buildup and acid burns.

- **Choose Location:** Select a well-ventilated spot with sufficient working space.
- **Mark Holes:** Use the tray as a template to mark four screw hole locations.
- **Drill Pilot Holes:** Drill four pilot holes, ensuring not to pierce through the boat's bottom.
- **Position Clamp:** Place the hold-down clamp in the tray's designated slots.
- **Secure Tray:** Fasten the tray using four #10 stainless steel screws and washers.
- **Place Battery:** Set the 24 Series battery in the tray.
- **Attach Clamp:** Position the clamp over the battery, aligning it with the tray slots.
- **Tighten Strap:** Secure the clamp firmly to hold the battery in place.
- **Connect Battery:** Make proper connections, insulating the positive terminal to prevent shorting.



NOTE:

Ensure compliance with safety regulations and battery manufacturer guidelines

Tools and Materials Required for Installation

To ensure a successful installation, gather the following tools and materials before beginning

- Drill with an appropriately sized drill bit (suitable for the mounting surface)
- Four #10 stainless steel flat washers
- Four #10 stainless steel pan-head wood/sheet metal screws
- Screwdriver (compatible with the screw head type)